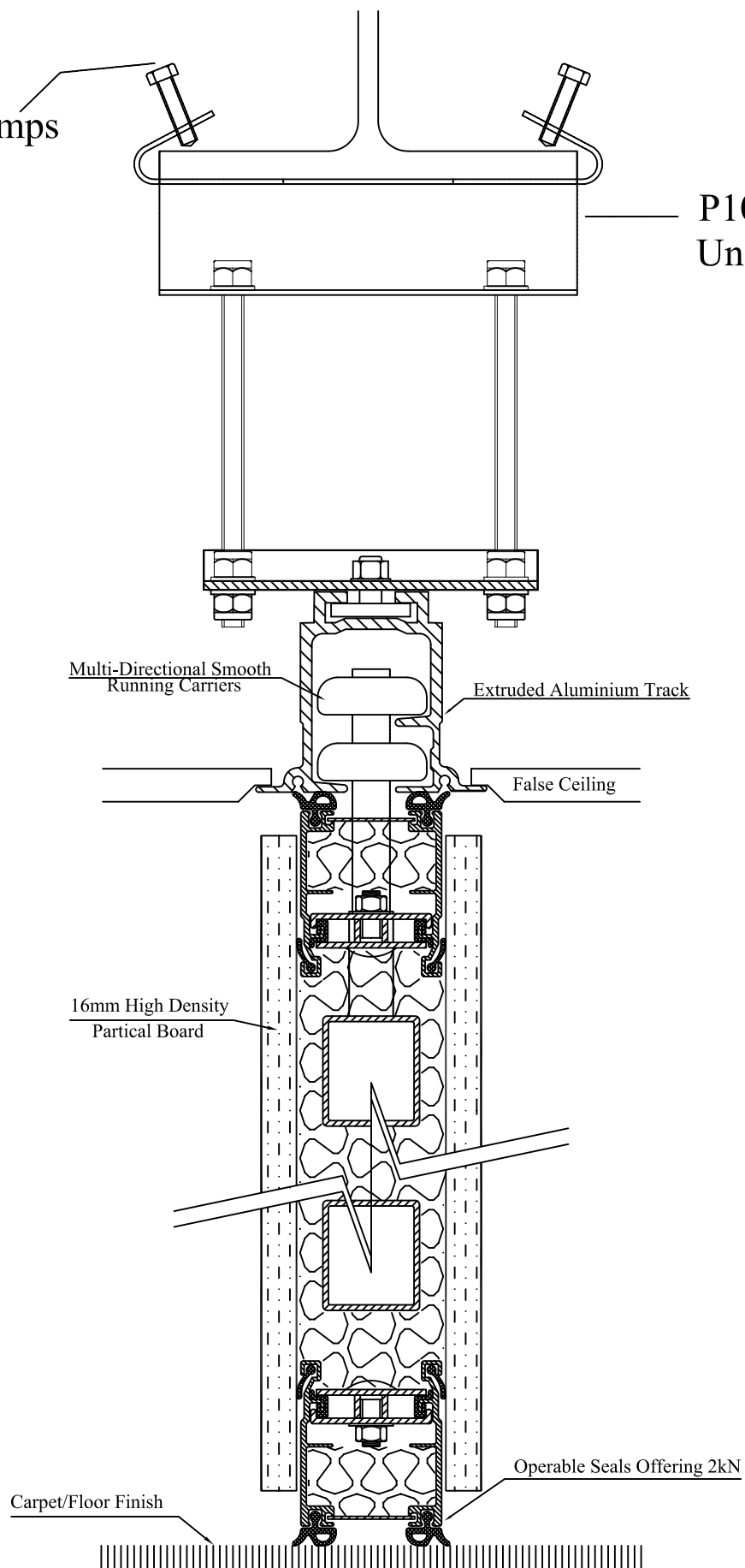


Beam clamps

P1000T
Unistrut



Multi-Directional Smooth
Running Carriers

Extruded Aluminium Track

False Ceiling

16mm High Density
Partical Board

Operable Seals Offering 2kN

Carpet/Floor Finish

brockhouse

Brockhouse Modernfold Ltd
Kay One, 23 The Tything, Worcester, WR1 1HD
Tel: 01905 330055 Fax: 01905 330234
Email: sales@brockhouse.net

SYSTEM: Series 600

TITLE : Double Point Suspension To Steel

ALL DIMENSIONS IN MILLIMETRES - DO NOT SCALE ©

REV & DATE
28/04/2008

DRAWN BY
Andrew Hughes

DRAWING REF: 600.23