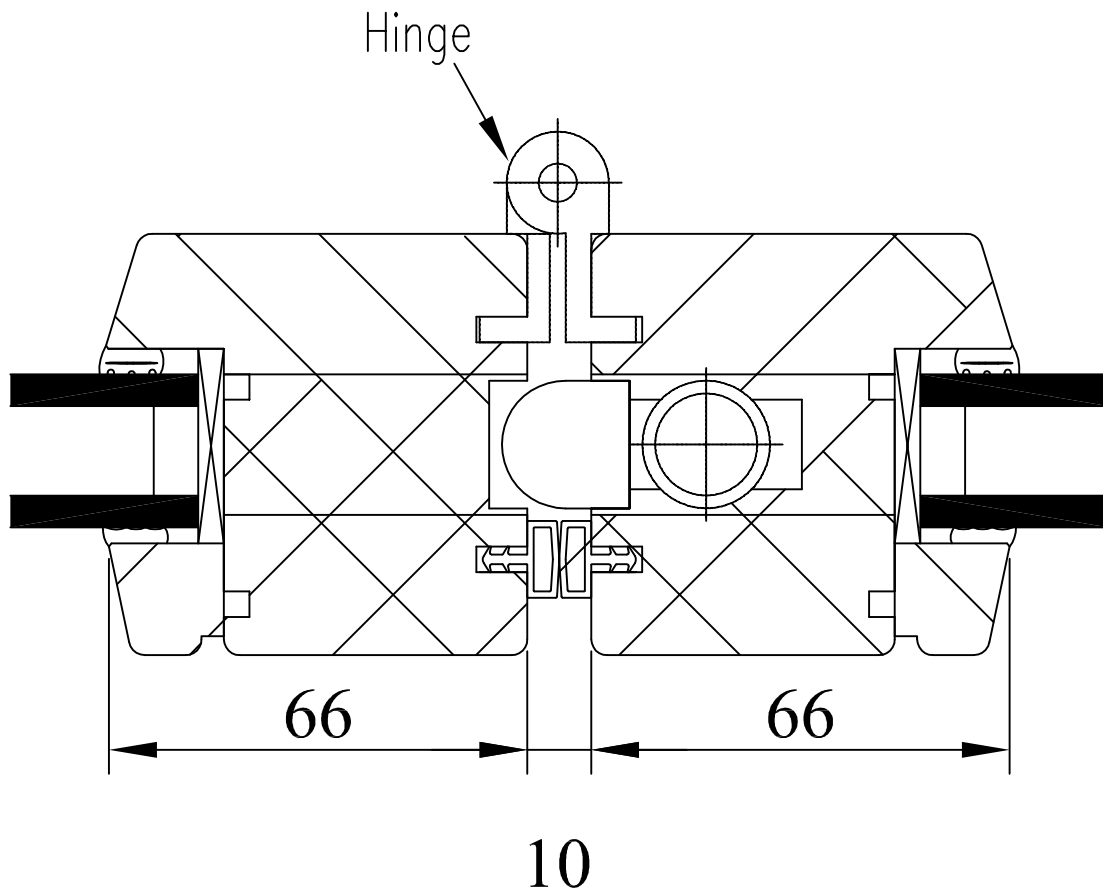


Brockhouse Series 950 ~ Timber

External Quality Glazed Sliding Folding Screen
Laminar Bonded Three Times

Detail J-3



brockhouse

Brockhouse Modernfold Ltd
Kay One, 23 The Tything, Worcester, WR1 1HD
Tel: 01905 330055 Fax: 01905 330234
Email: sales@brockhouse.net

SYSTEM: Series 950

TITLE : Panel Abutment Detail

ALL DIMENSIONS IN MILLIMETRES - DO NOT SCALE ©

REV & DATE
29/04/2008

DRAWN BY
Andrew Hughes

DRAWING REF: 950.5